

Hatch Cover Service

Catalogue 2014



Hatch Cover Seals - Generals

Delivery of all types of Rubber Profiles

We offer an efficient delivery service for all sealing profiles on sea-going vessels. We hold a stock of all standard rubber grades available in the market. Owing to the large quantities of rubber we process, we are able to offer excellent value for money. The Installation onboard takes place by our fitters using our SC 2000 and SC 4000 adhesive systems.



Installation of Hatch Cover Seals worldwide

Our experienced fitters trained as vulcaniser, provide services world-wide. We offer a wealth of experience in this field. Our include installation by our fitters, as well as installations managed under the direction of our supervisors by your staff. We also can offer you fitters from our worldwide representatives. We deliver the necessary materials to the shipyard. The repair technologies employed by us have been applied successfully both nationally and internationally for years.

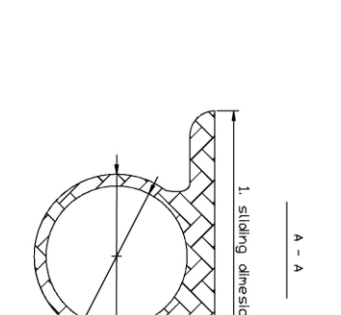


Productlist / Table of Contents

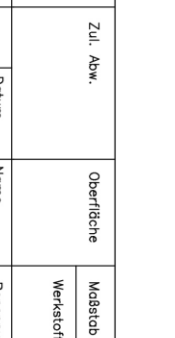
1. *Emergency Seal*
2. *Profiles*
3. *Corners*
4. *Endpieces*
5. *Omega Seals*
6. *EVAC Seal*
7. *Special Profiles*
8. *Man Holes*
9. *Sponge Rubber*



1. Emergency Seal

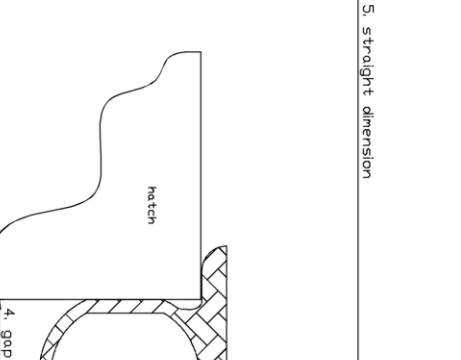


1. sliding dimension
2. outer diameter
3. inner diameter
4. gap dimension



5. straight dimension
6. edge dimension

Verwendungsbereich		Zul. Abw.	Oberfläche
Zust. / Änderung	Datum	Name	
		Datum	Name
		30.05.2014	Mahnke
		Umr.	



Please fill in the missing dimensions !

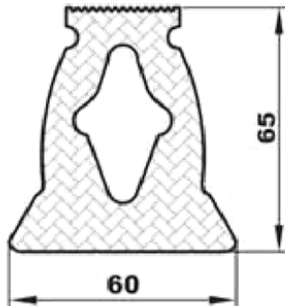
	mm
1. sliding dimension	
2. outer diameter	
3. inner diameter	
4. gap dimension	
5. straight dimension	
6. edge dimension	

Material: EPDM
Hardness, SH A: 50 + 5
Temperature range (°C): -30 to +100
Compression set (70°C, 72h, 25%): < 30
Heat resistance (70°C, 72h): < 30
Change of tensile strength: < 25
Change of elongation: < 20
Change of hardness, SH A: < 40
Brittleness temperature, °C: < 40
Color: black

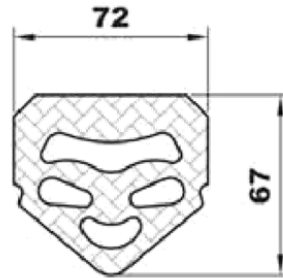
Modul	entfällt-sklz=	Gewicht	entfällt-sklz=
Werkstoff	HS-ML-TD - EPDM		
Benennung gap compression seal Hollow rubber gasket DIMENSION FORM			
Zeichnungsnummer HS-ML-TD-1			Blatt
Peter Mahnke GmbH			1 von 1

Ers. d.: jkmahnke
 Ers. dpt. hatched cover seals
 Peter Mahnke GmbH, Heidkamp 2, 24326 Kalübbe - www.mahnke.de - info@mahnke.de - Tel: +49 4526 98-0

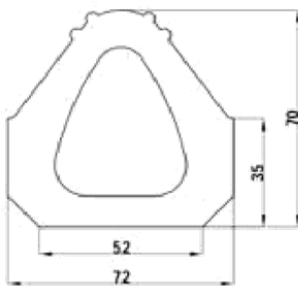
1. Profiles



HS-ML-001



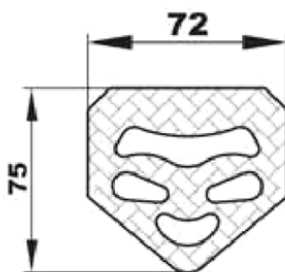
HS-ML-002



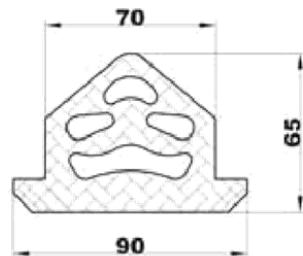
HS-ML-002-02



HS-ML-002-03

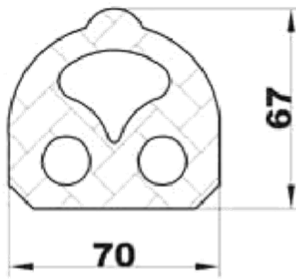


HS-ML-002V

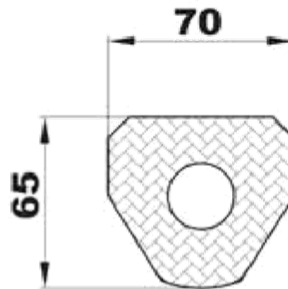


HS-ML-003

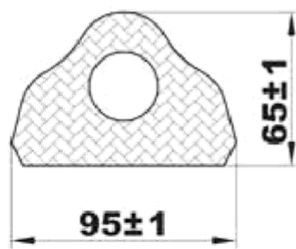
1. Profiles



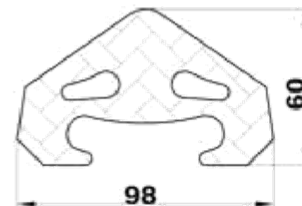
HS-ML-004



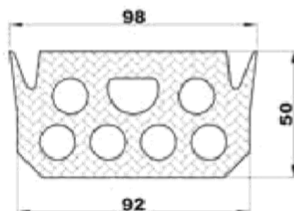
HS-ML-005



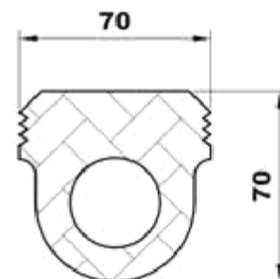
HS-ML-006



HS-ML-007

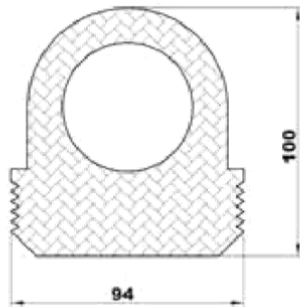


HS-ML-008

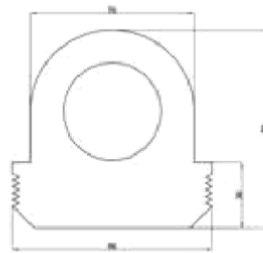


HS-ML-009

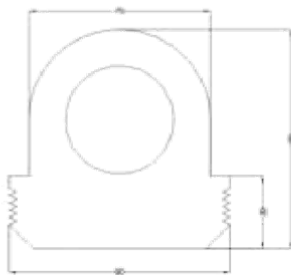
1. Profiles



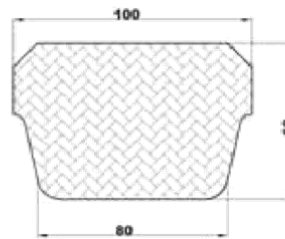
HS-ML-010



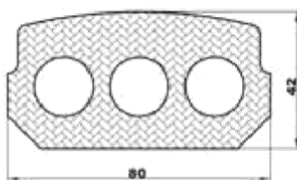
HS-ML-010-9090



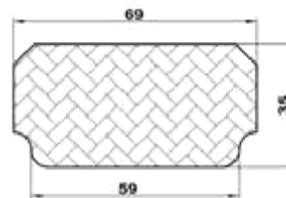
HS-ML-010A



HS-ML-011

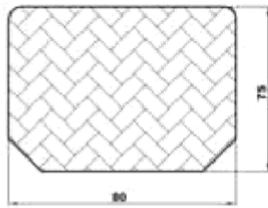


HS-ML-012

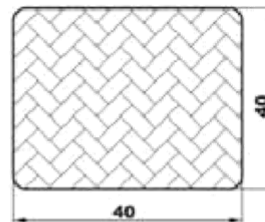


HS-ML-013

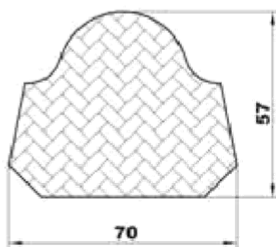
1. Profiles



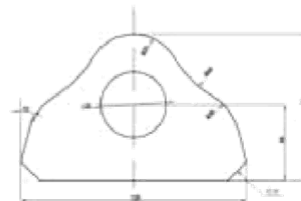
HS-ML-014



HS-ML-015



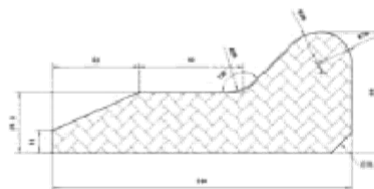
HS-ML-016



HS-ML-022

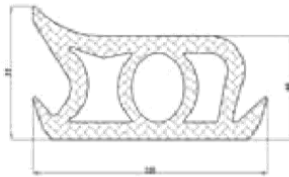


HS-ML-023

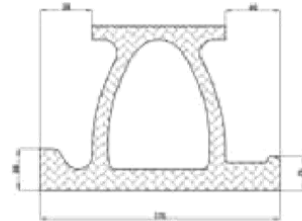


HS-ML-024

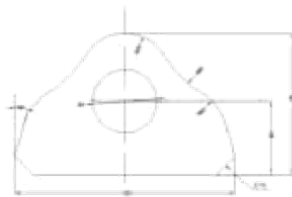
1. Profiles



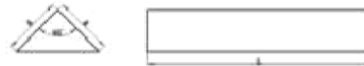
HS-ML-025



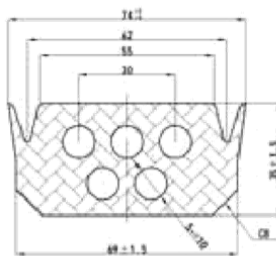
HS-ML-025-1



HS-ML-033

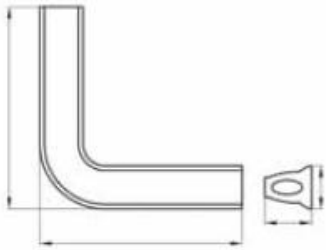


HS-ML-034

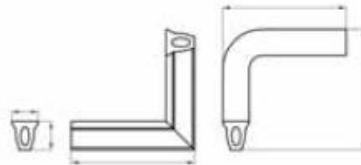


HS-ML-040

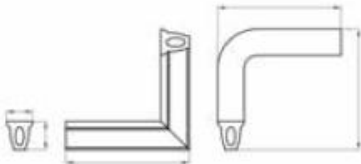
2. Corners



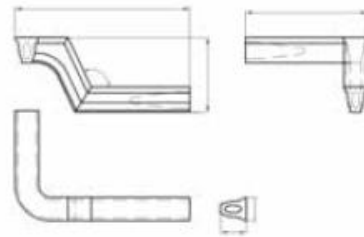
HS-ML-001-F1



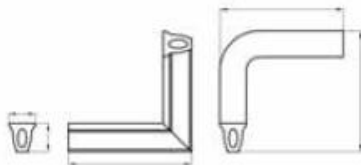
HS-ML-001-ZR1-ZL1 H = 215



HS-ML-001-ZR1-ZL1 H = 275



HS-ML-001-ZR2-ZL2



HS-ML-001-ZR3-ZL3



HS-ML-002-C1

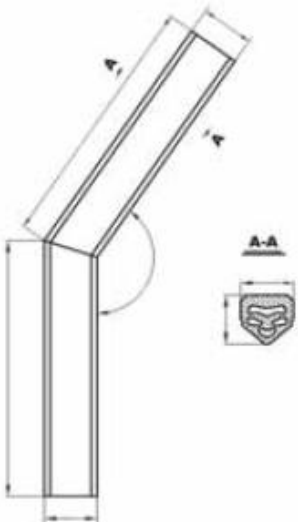
2. Corners



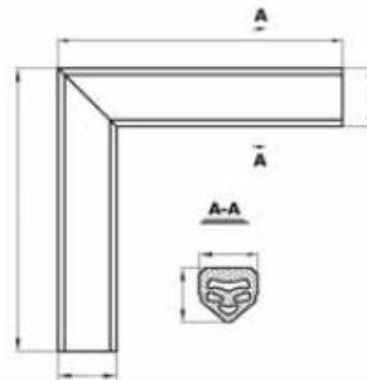
HS-ML-002-C2



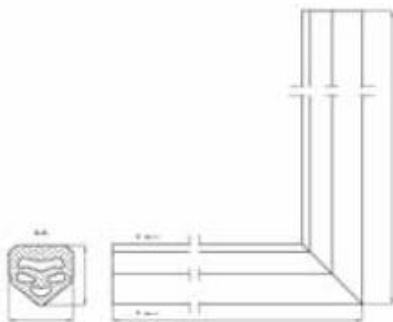
HS-ML-002-C3



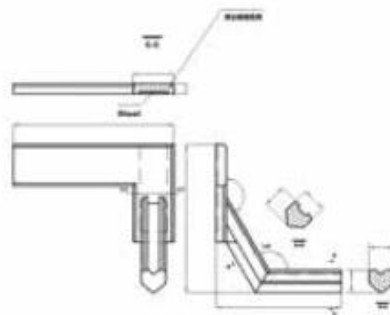
HS-ML-002-C4



HS-ML-002-F1

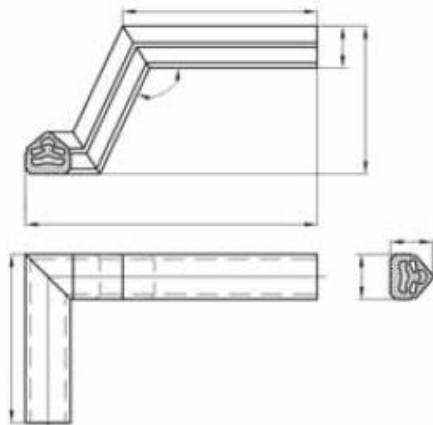


HS-ML-002-L1

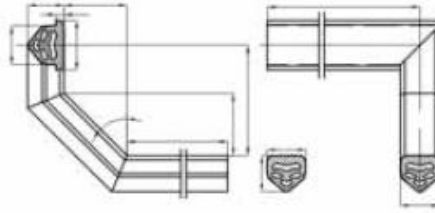


HS-ML-002-Z280R-Z280L

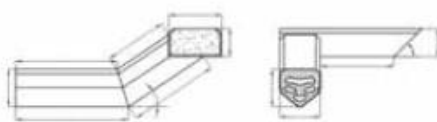
2. Corners



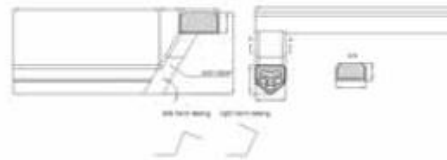
HS-ML-002-ZR1-ZL1



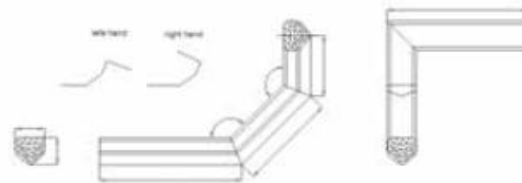
HS-ML-002-ZL5-ZR5



HS-ML-002-ZR2-ZL2

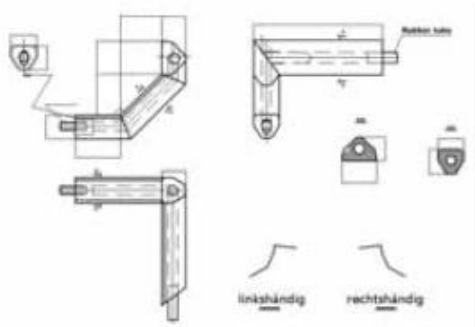


HS-ML-002-ZR3-ZL3

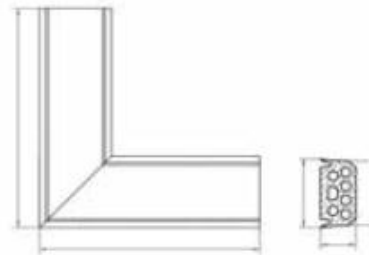


HS-ML-002-ZR4-ZL4

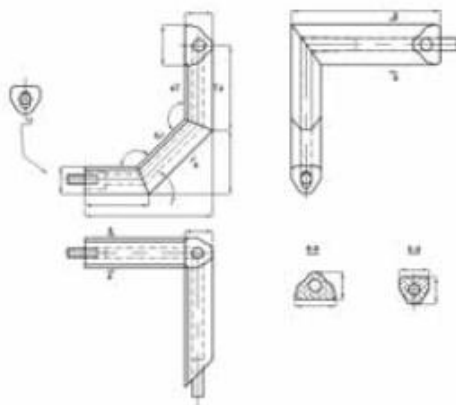
2. Corners



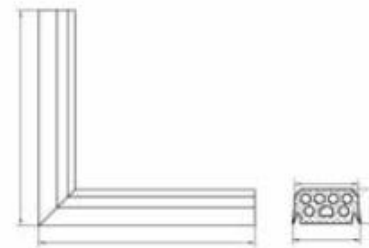
HS-ML-005-ZR1-ZL1



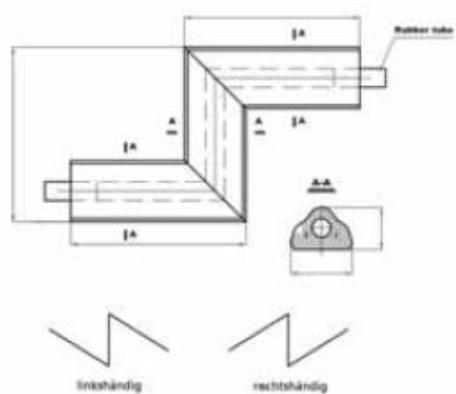
HS-ML-008-F1



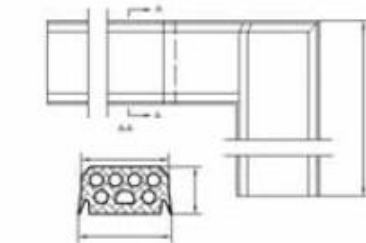
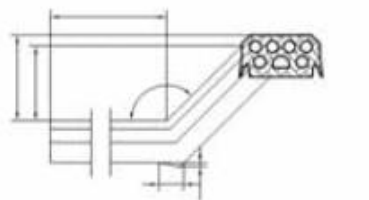
HS-ML-005-ZR2-ZL2



HS-ML-008-L1

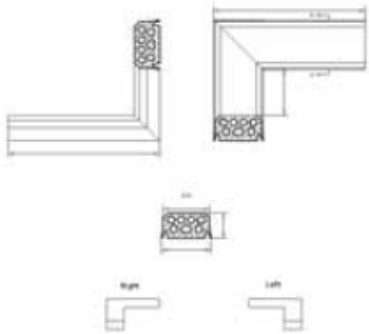


HS-ML-006-ZR1-ZL1

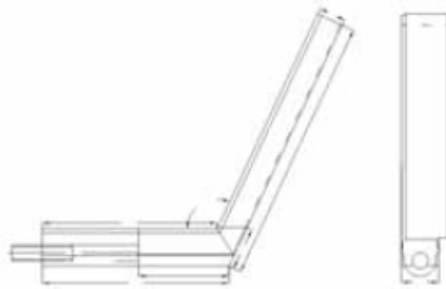


HS-ML-008-ZR1-ZL1

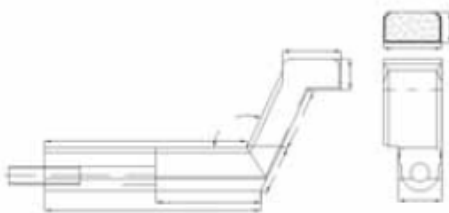
2. Corners



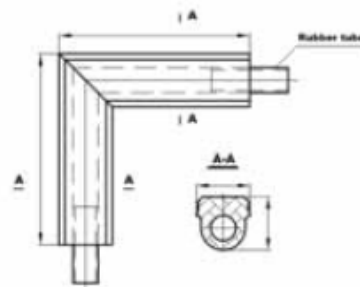
HS-ML-008-ZR2-ZL2



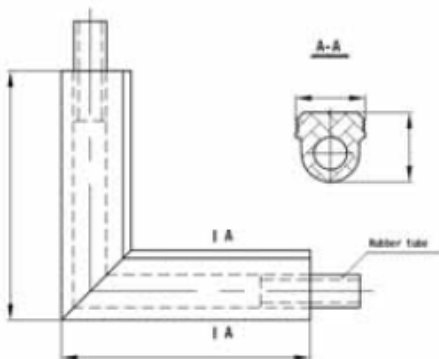
HS-ML-009-C1



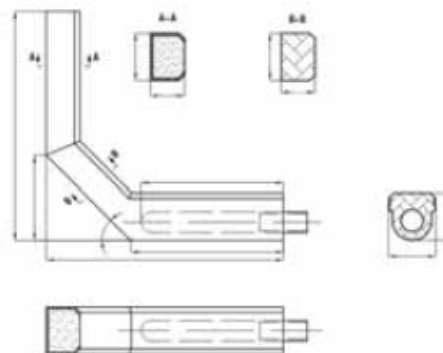
HS-ML-009-C2



HS-ML-009-F1

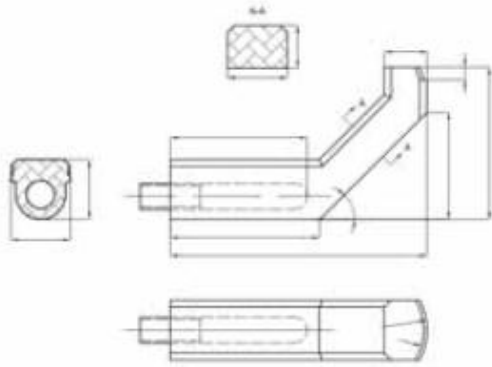


HS-ML-009-L1



HS-ML-009-Z1

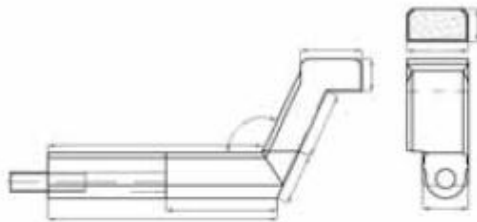
2. Corners



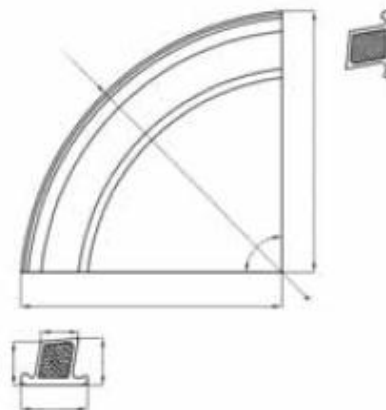
HS-ML-009-Z2



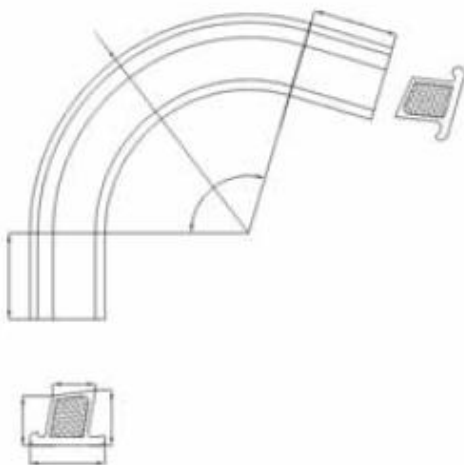
HS-ML-009-ZL1-ZR1



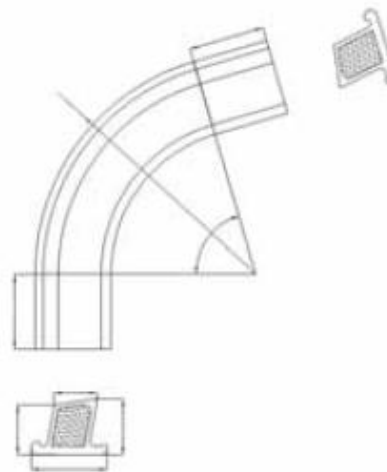
HS-ML-009-ZL2-ZR2



HS-ML-026-F1

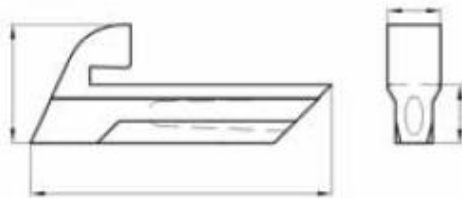


HS-ML-026-F2

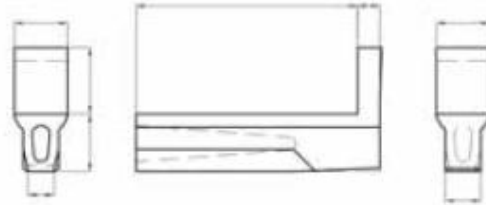


HS-ML-026-F3

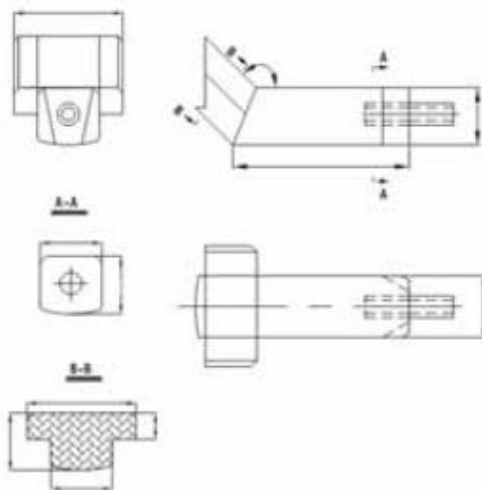
3. Endpieces



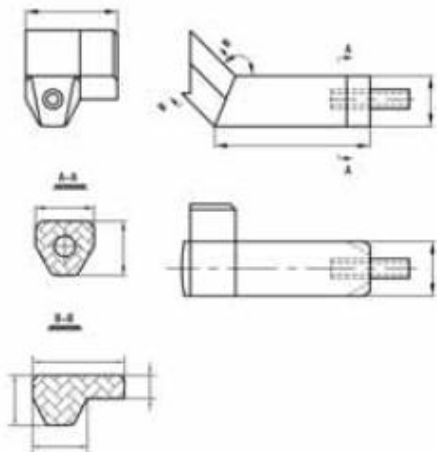
HS-ML-001-E1



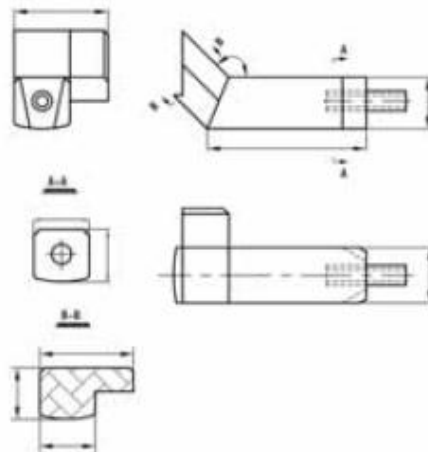
HS-ML-001-E2



HS-ML-001-E5

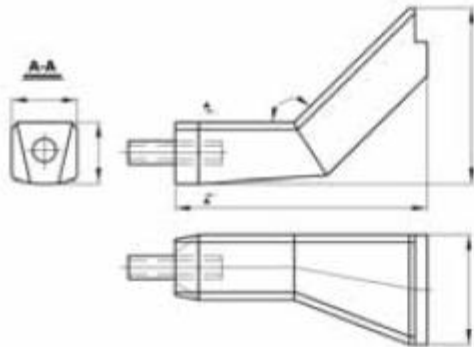


HS-ML-001-ER1-EL1



HS-ML-001-ER2-EL2

3. Endpieces



HS-ML-001-ER3-EL3



HS-ML-001-ER4-EL4



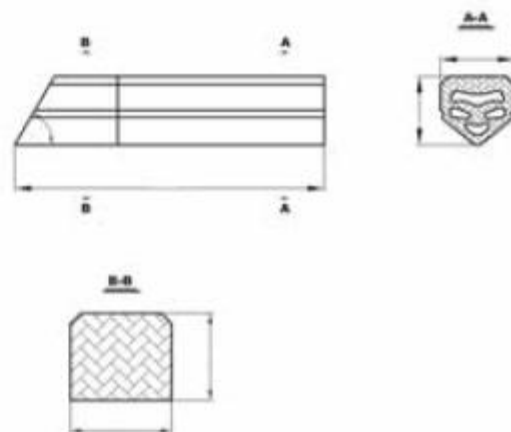
HS-ML-002-E1



HS-ML-002-E1A



HS-ML-002-E2

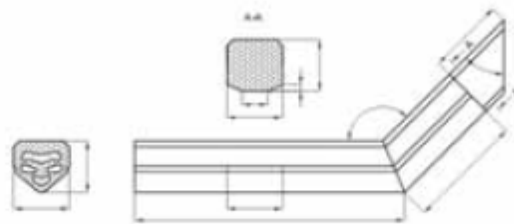
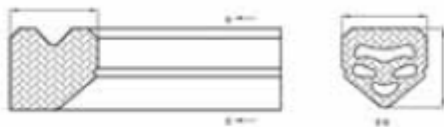


HS-ML-002-E2A

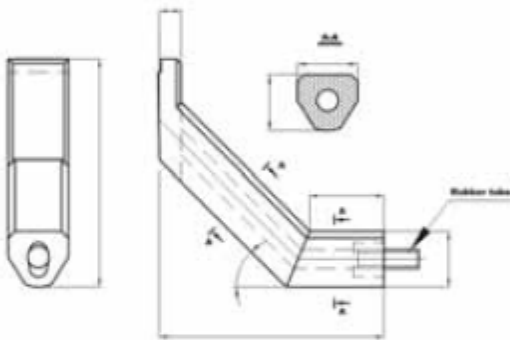
3. Endpieces



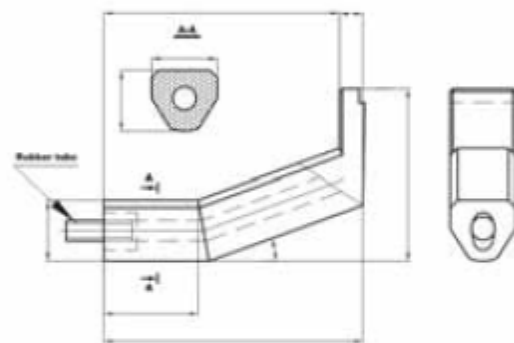
HS-ML-002-E3



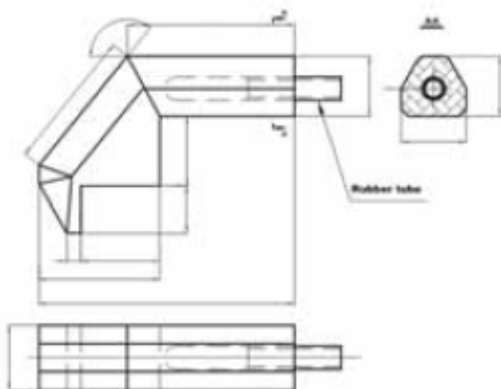
HS-ML-002-E4



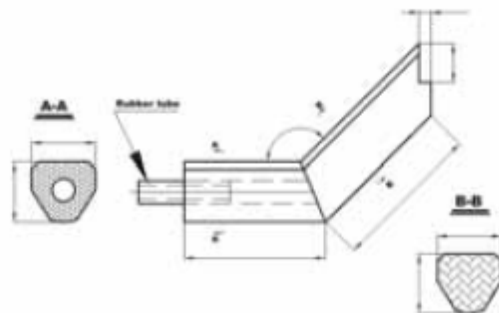
HS-ML-005-E1



HS-ML-005-E2

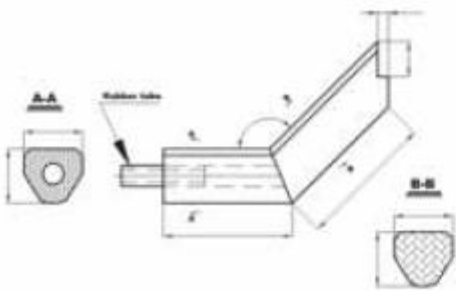


HS-ML-005-E3

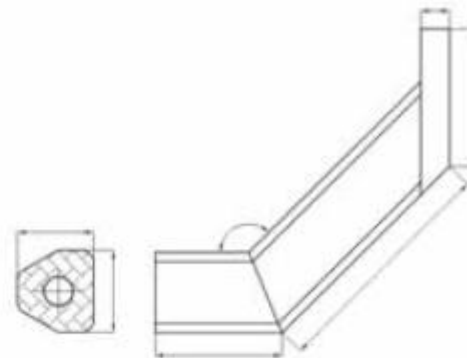


HS-ML-005-E4

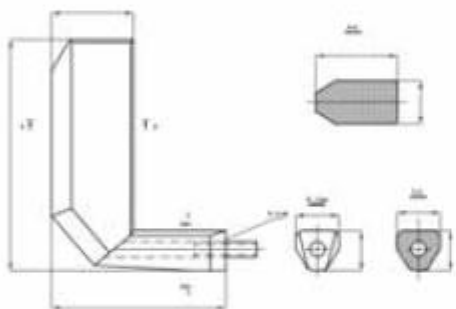
3. Endpieces



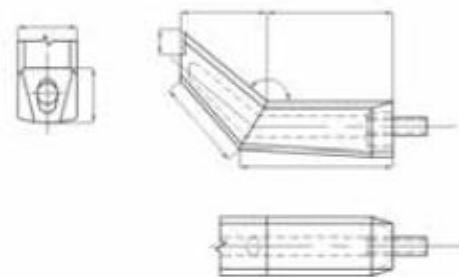
HS-ML-005-E5



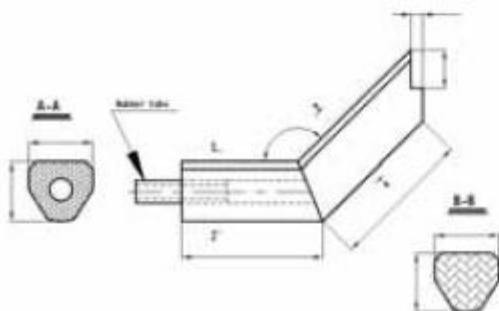
HS-ML-005-E6



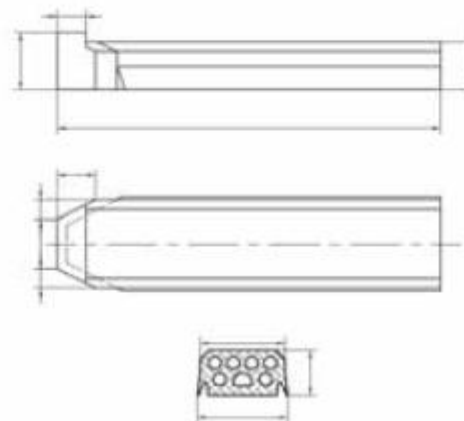
HS-ML-005-E7



HS-ML-005-E8

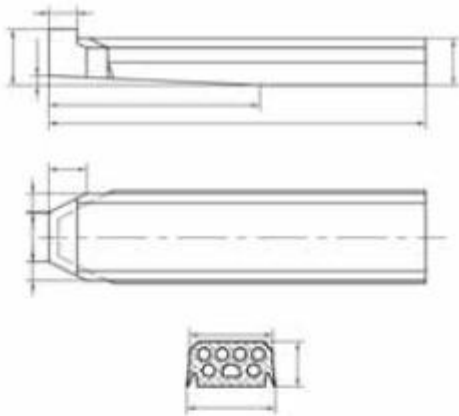


HS-ML-005-E9

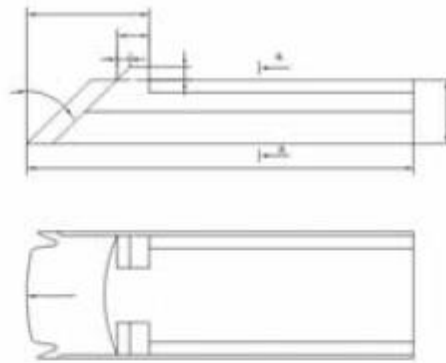


HS-ML-008-E1

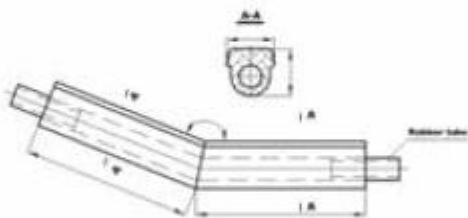
3. Endpieces



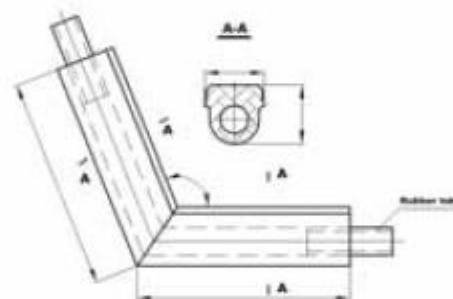
HS-ML-008-E2



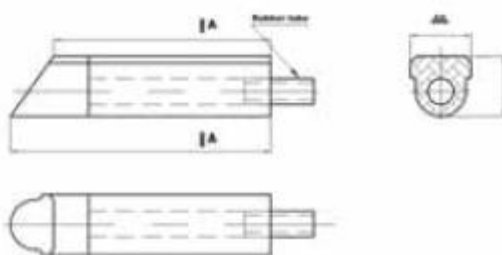
HS-ML-008-E3



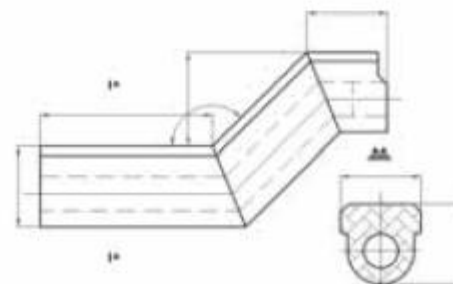
HS-ML-009-E1



HS-ML-009-E2

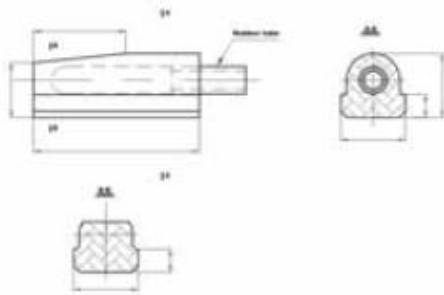


HS-ML-009-E3

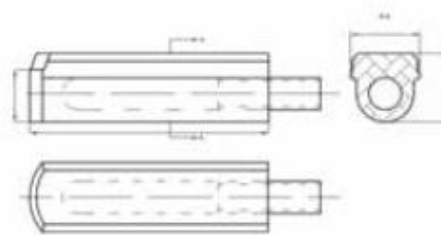


HS-ML-009-E4

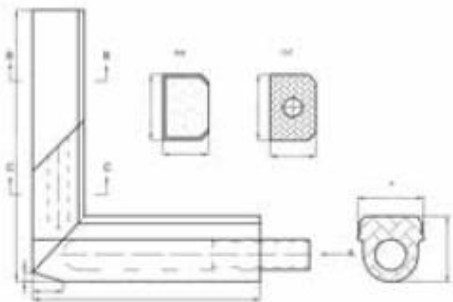
3. Endpieces



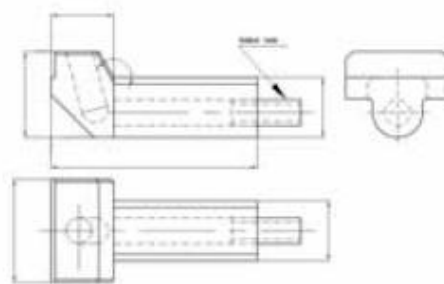
HS-ML-009-E5



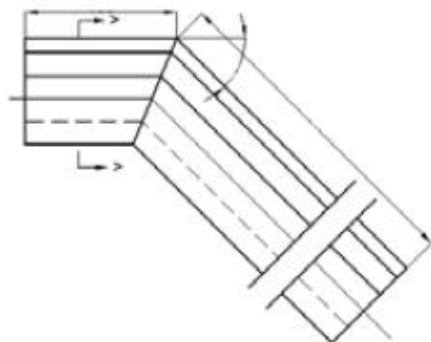
HS-ML-009-E6



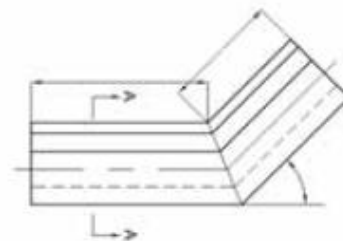
HS-ML-009-E7



HS-ML-009-E8

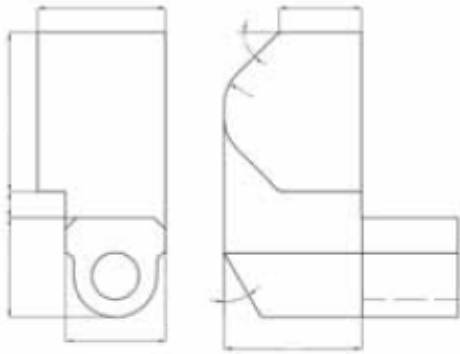


HS-ML-009-E9

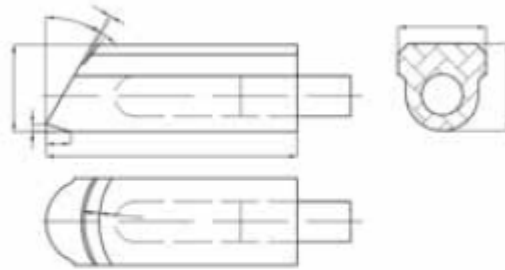


HS-ML-009-E10

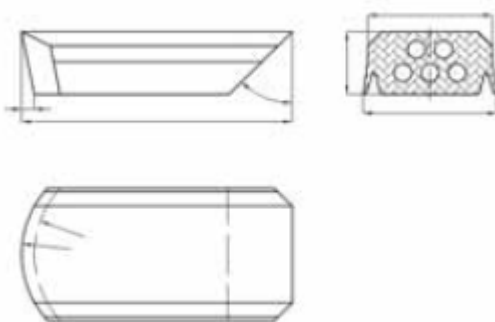
3. Endpieces



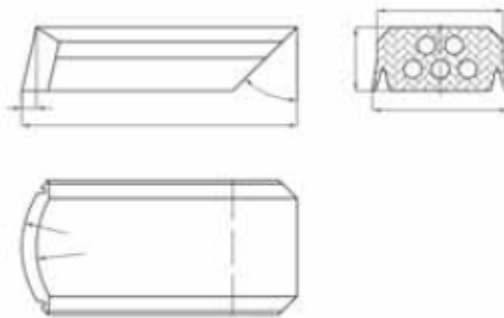
HS-ML-009-E11



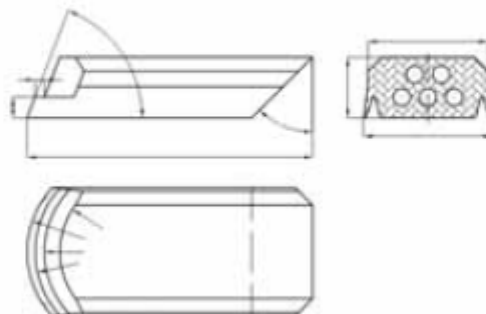
HS-ML-009-E12



HS-ML-040-E2

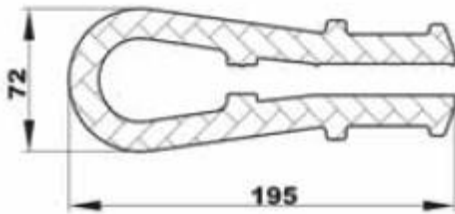


HS-ML-040-E3

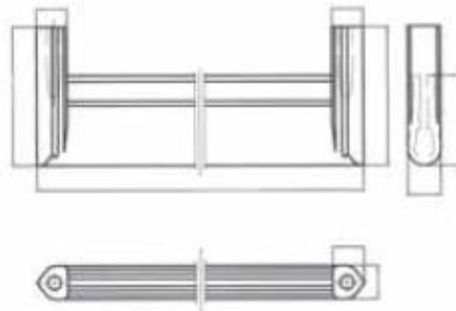


HS-ML-040-E4

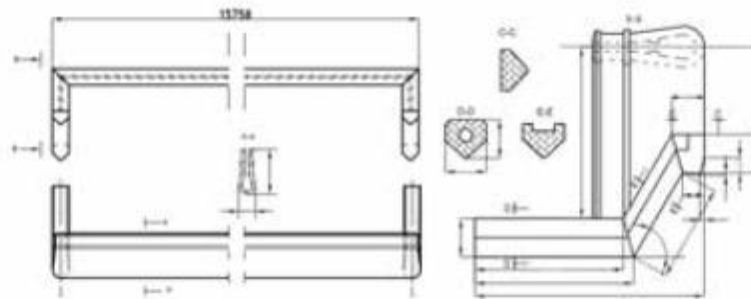
4. Omega Seals



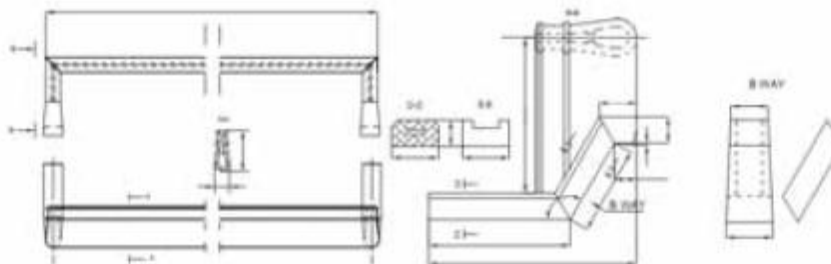
HS-ML-019



HS-ML-019-02



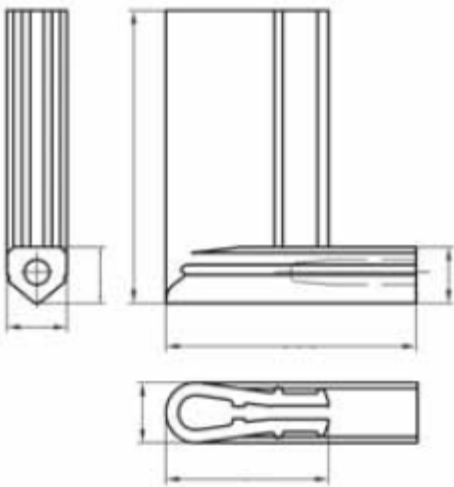
HS-ML-019-03



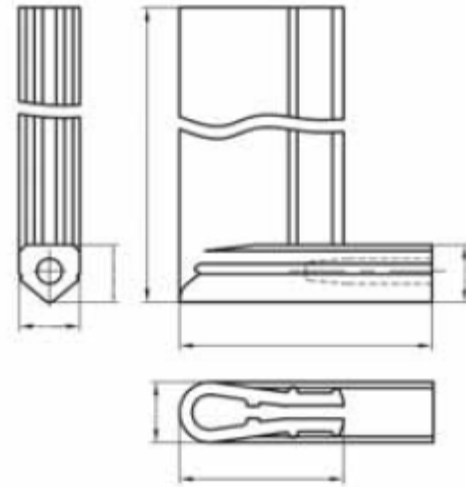
HS-ML-019-04

4. Omega Seals

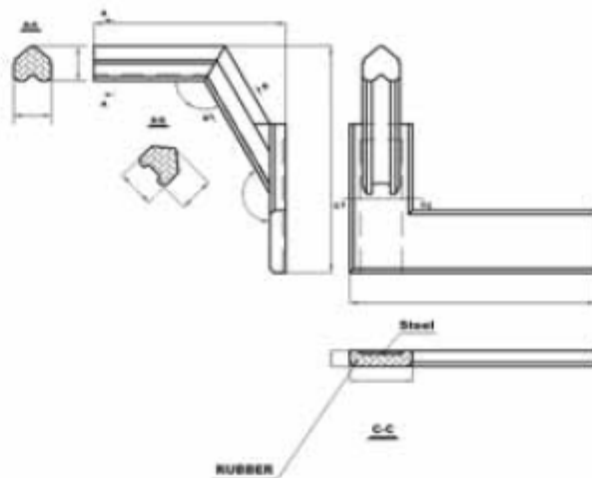
CORNERS



HS-ML-019-01



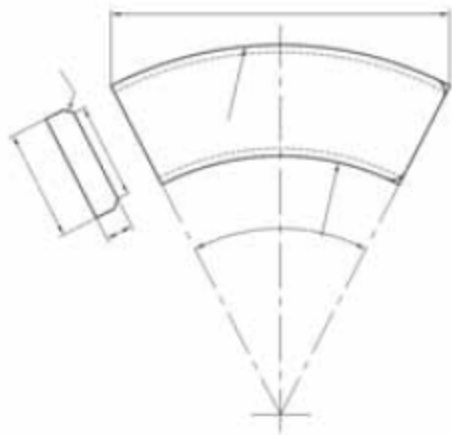
HS-ML-019-A



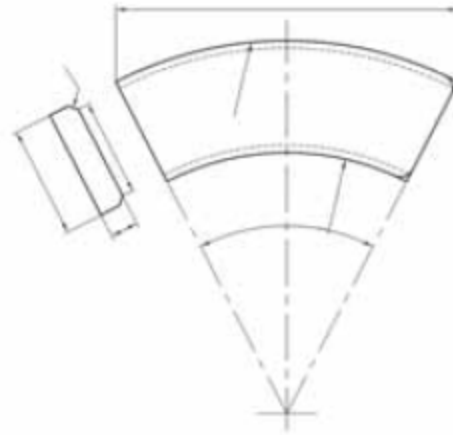
HS-ML-002-Z280R-Z280L

4. Omega Seals

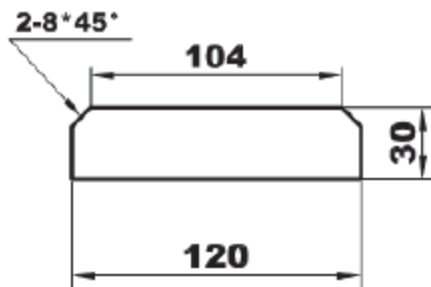
CONTERPARTS



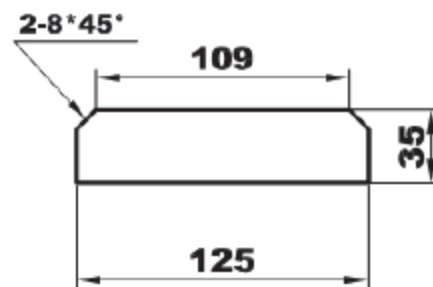
HS-ML-021-F1A



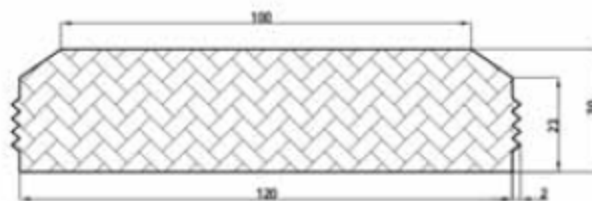
HS-ML-021-F1B



HS-ML-021



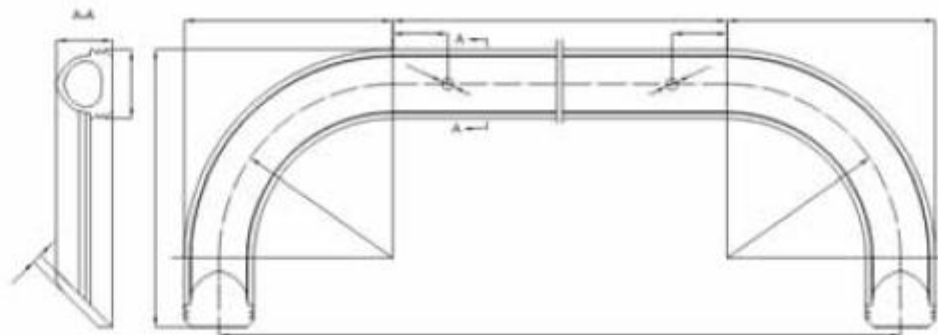
HS-ML-021A



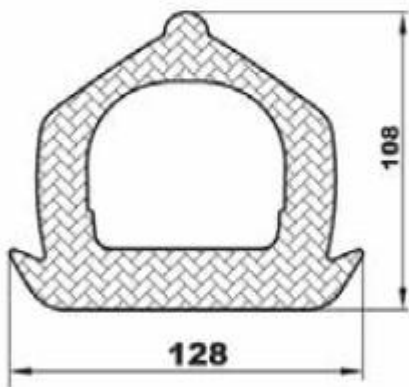
HS-ML-21B

5. Sliding Seals

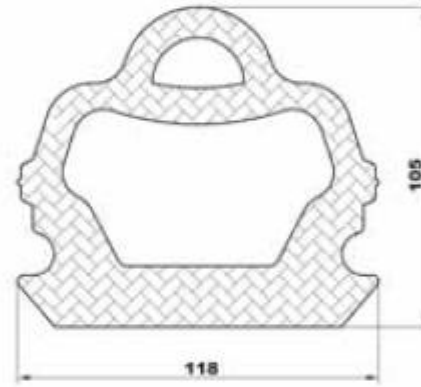
Note! SlidingSeals are substitute for VaccumSeals / EvacSeals



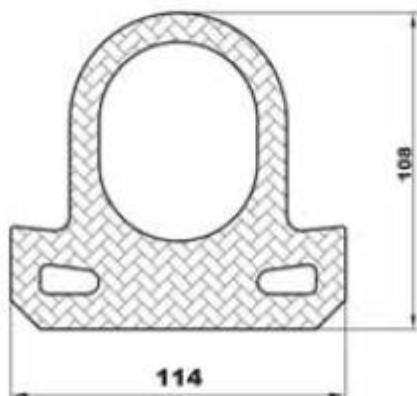
HS-ML-10B-01



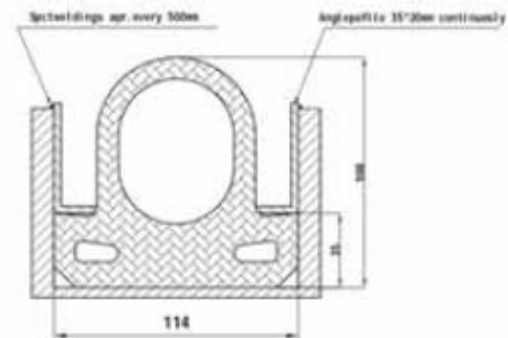
HS-ML-017



HS-ML-018



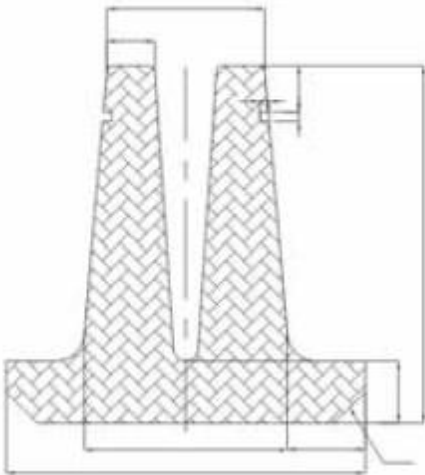
HS-ML-020



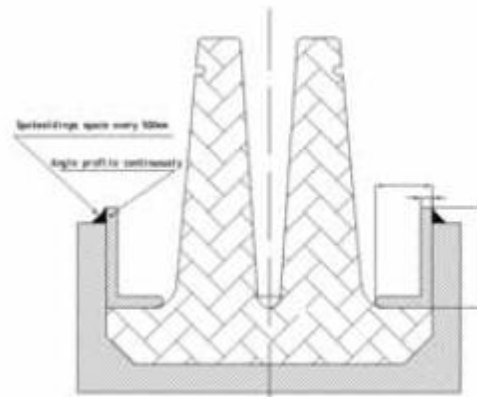
HS-ML-020A

5. Sliding Seals

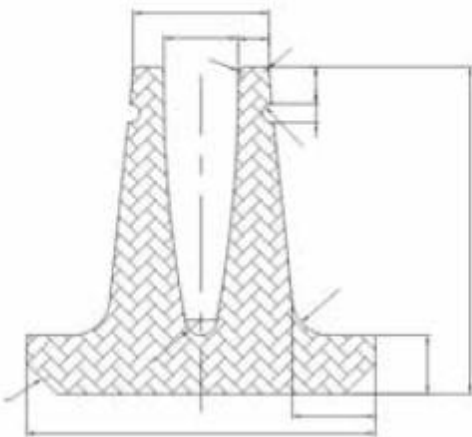
Note! SlidingSeals are substitute for VaccumSeals / EvacSeals



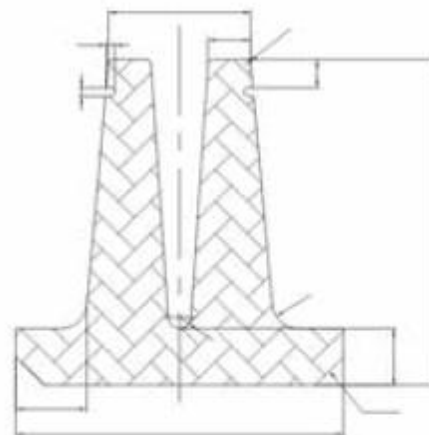
HS-ML-046-1



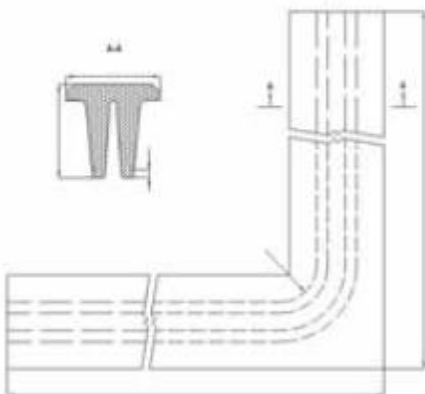
HS-ML-046-2A



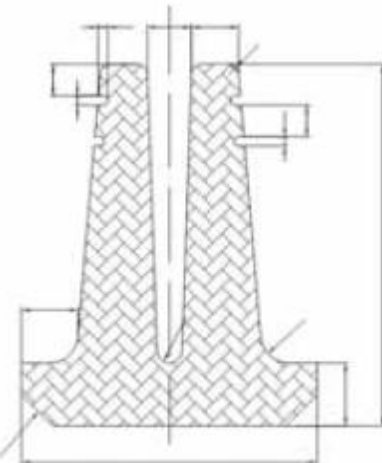
HS-ML-046-3



HS-ML-046-2

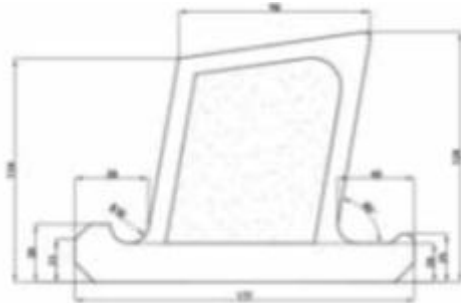


HS-ML-046-2-F1



HS-ML-046-4

6. Special Seals



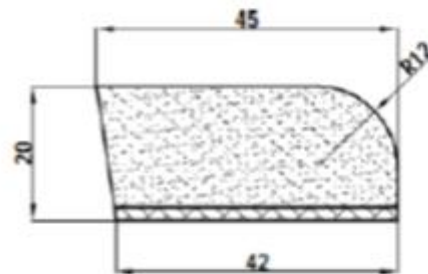
HS-ML-026



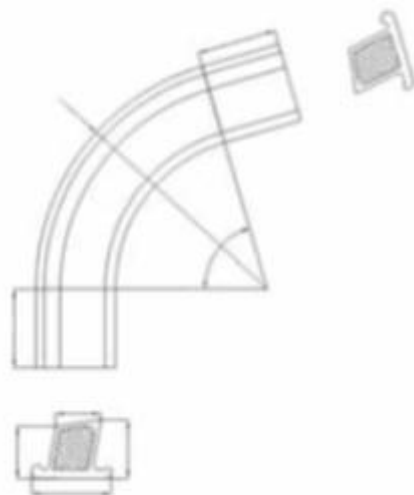
HS-ML-026-F1



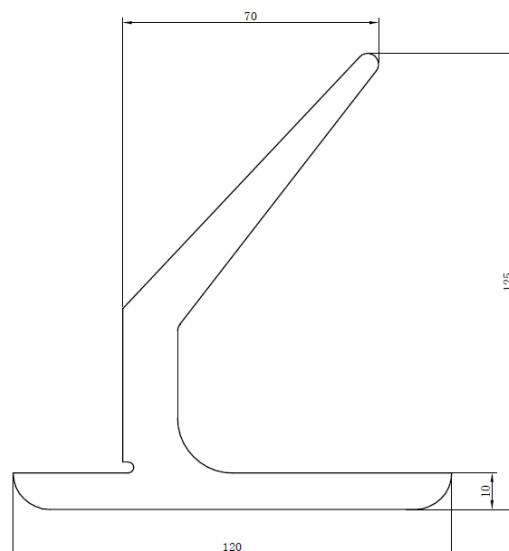
HS-ML-026-F2



HS-ML-042

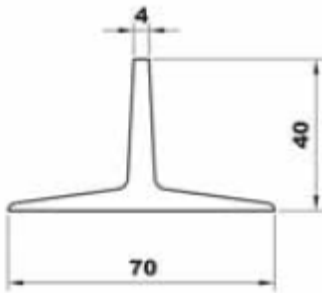


HS-ML-026-F3

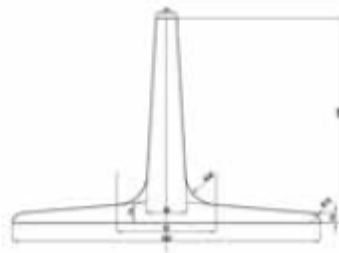


HS-ML-JC-01-70

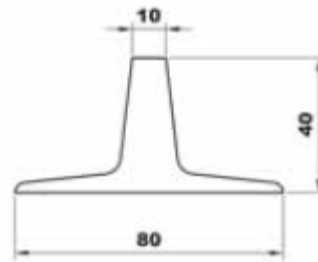
6. Special Seals



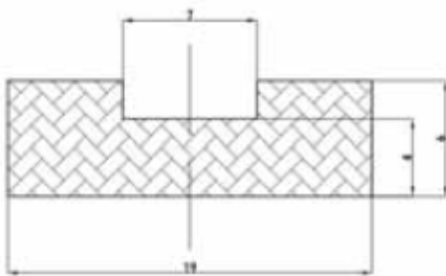
HS-ML-T4070



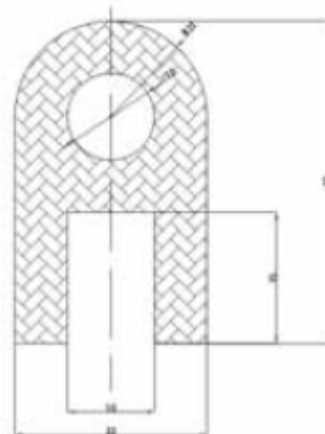
HS-ML-TS1



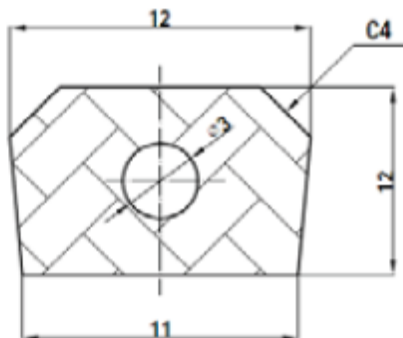
HS-ML-T4080



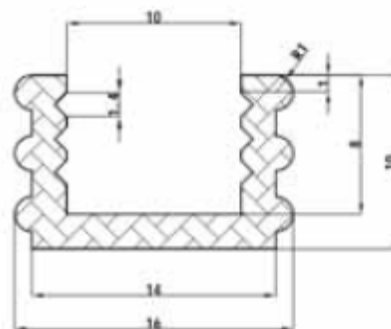
HS-ML-027



HS-ML-028

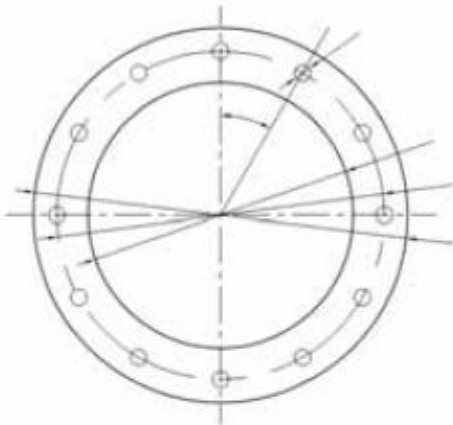


HS-ML-038

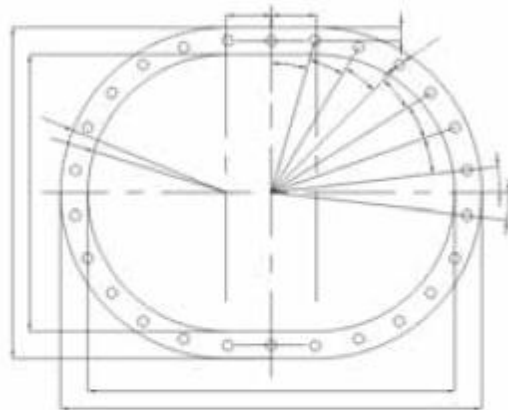


HS-ML-039

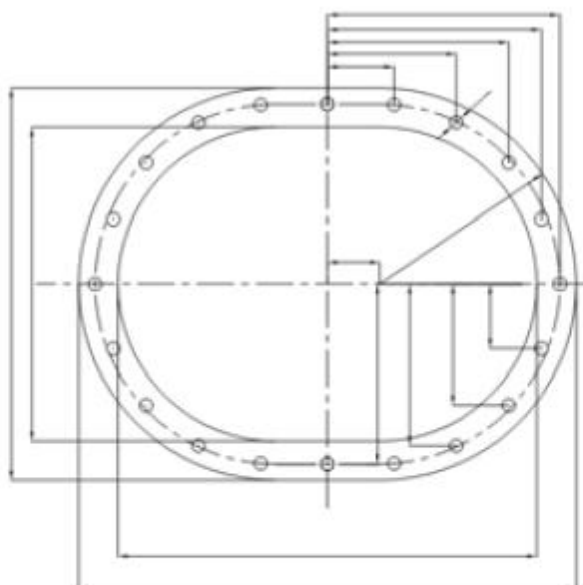
7. Manholes



HS-ML-MANHOLES-001



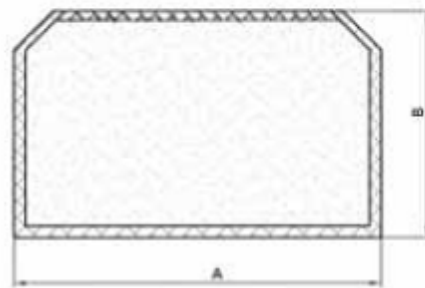
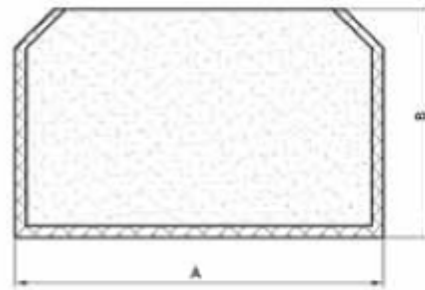
HS-ML-MANHOLES-002



HS-ML-MANHOLES-003

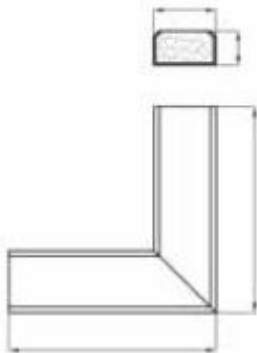
8. Sponge Rubber

PROFILE	AxB
HS-ML-067	57x32
HS-ML-050	64x35
HS-ML-033	64x40
HS-ML-034	68x35
HS-ML-036	71x32
HS-ML-038	71x35
HS-ML-043	71x40
HS-ML-039	71x45
HS-ML-051	80x40
HS-ML-041	85x32
HS-ML-052	92x50
HS-ML-031	94x50
HS-ML-030	94x60
HS-ML-044	100x40
HS-ML-045	100x60
HS-ML-053	100x90
HS-ML-037	120x50
HS-ML-047	121x60
HS-ML-035	160x50
HS-ML-048	160x60

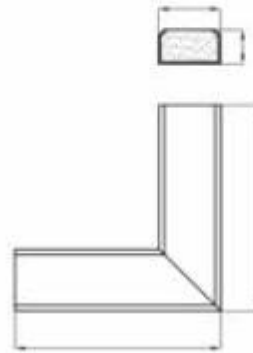


8. Sponge Rubber

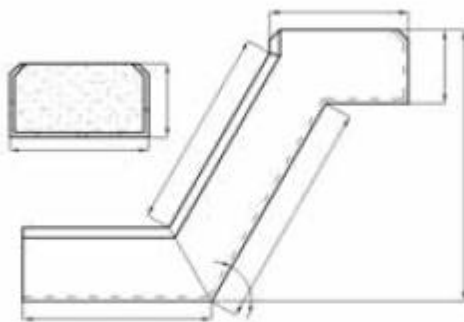
CORNERS



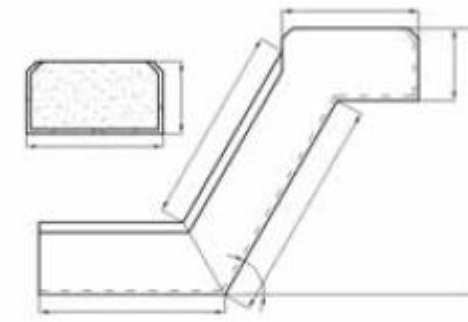
HS-ML-031-F1



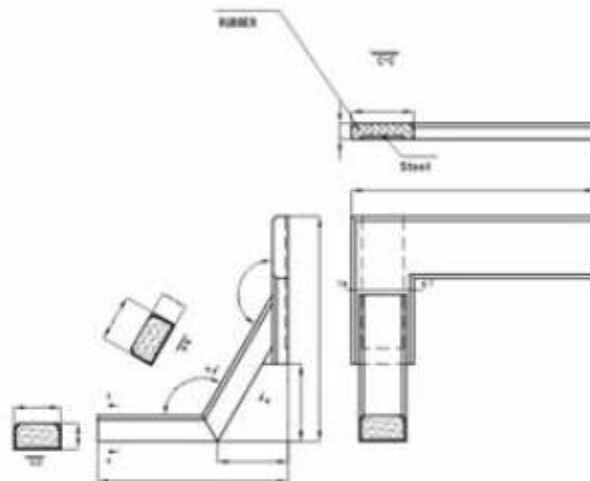
HS-ML-031-F1A



HS-ML-031-Z1



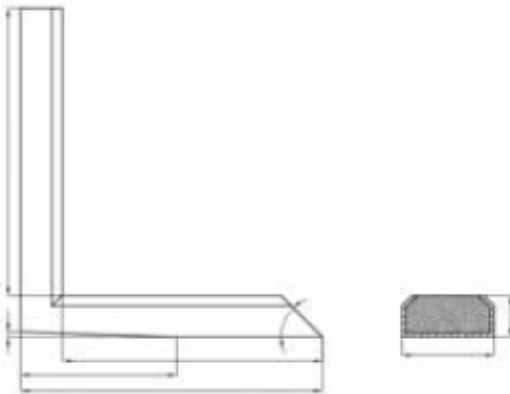
HS-ML-031-Z1A



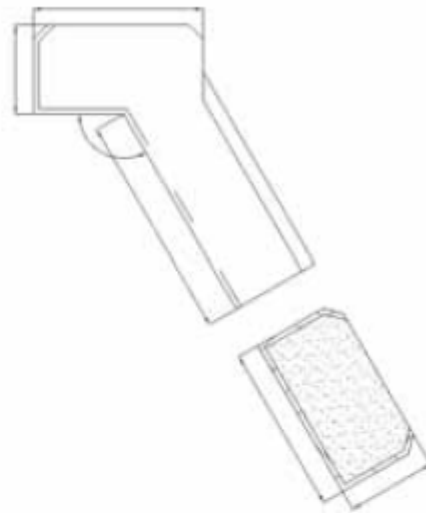
HS-ML-031-Z280R-L

8. Sponge Rubber

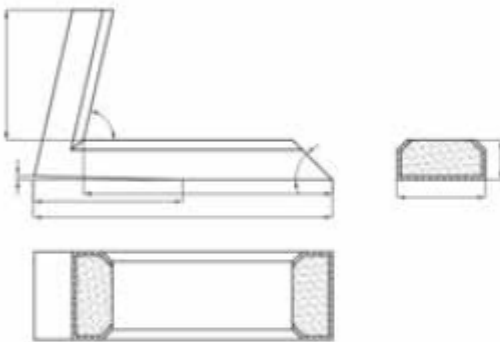
CORNERS



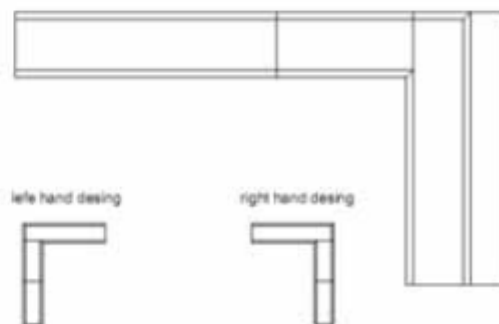
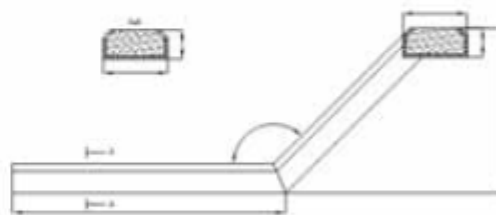
HS-ML-036-F2



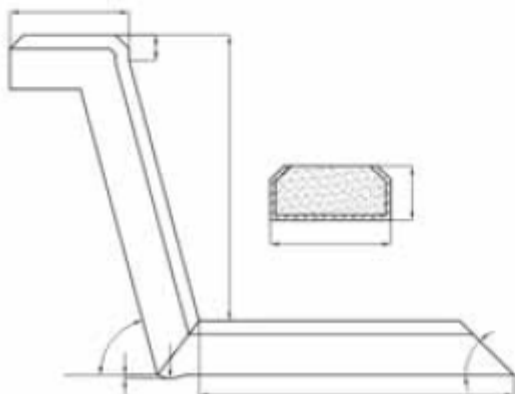
HS-ML-031-Z2



HS-ML-036-F1



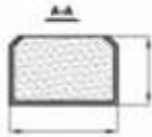
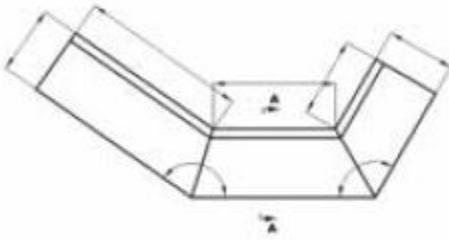
HS-ML-036-ZL1-ZR1



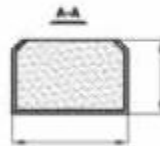
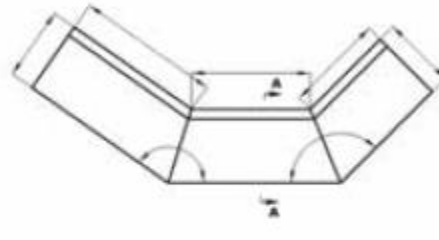
HS-ML-036-Z1

8. Sponge Rubber

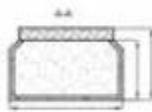
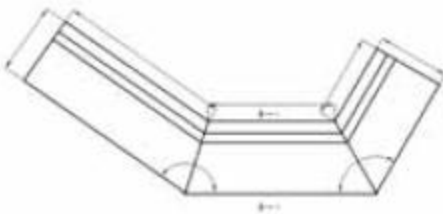
ENDPIECES



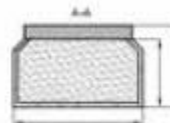
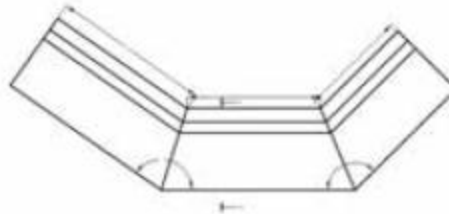
HS-ML-030-E1



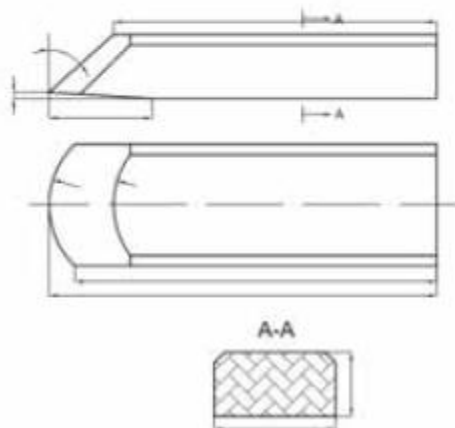
HS-ML-030-E2



HS-ML-032-E1



HS-ML-032-E2



8. Sponge Rubber

ENDPIECES



HS-ML-036-E1



HS-ML-036-E2



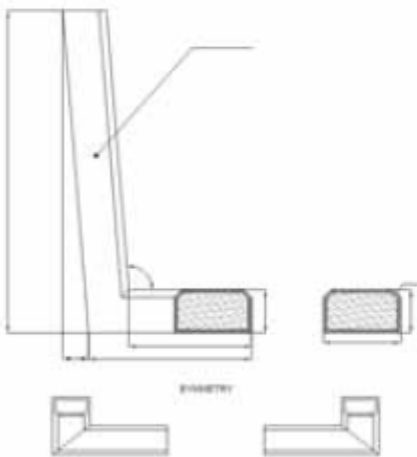
HS-ML-036-E3



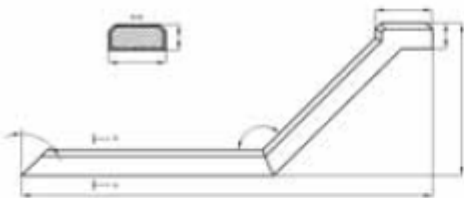
HS-ML-036-E4

8. Sponge Rubber

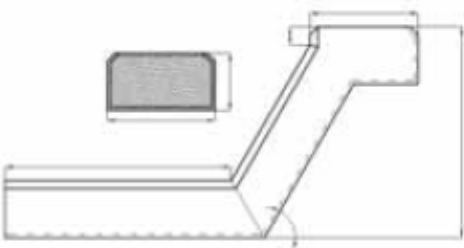
OTHER PARTS



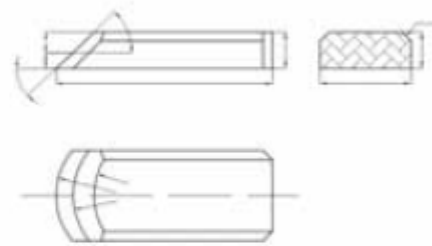
ITEM 1



ITEM 3



ITEM 4-SD-10282



ITEM 2



ITEM 4-HC-10283

Hatch Cover Service

Contact Information

Peter Mahnke GmbH

Heidkamp 2
24326 Kalübbe
Germany

Phone: +49 4526 98-0
Fax: +49 4526 98-22

email: info@mahnke.de
<http://www.mahnke.de>

Technical Contact:

Mr. Dipl. Ing. Michael Nicolaus

Phone: +49 4526 98-11

Mobil: +49 171 63 29 685

email: nicolaus@mahnke.de

Sales Contact:

Mr. Hauke Nieting

Phone: +49 4526 98-0

Mobil: +49 162 13 66 908

email: Nieting@mahnke.de

Sales Contact:

Mr. Janosch Mahnke

Phone: +49 4526 98-0

Mobil: +49 170 304 814 7

email: j.mahnke@mahnke.de

